

T Series

from 14 to 20 m

The GSR "T" series is known for the exceptional strength and rigidity of the aerial platform and its simple and intuitive operation. The high product quality and excellent performance parameters of the telescopic boom are secured by applying traditional and reliable technical solutions, as well as special steels and boom profiles.

Robust hydraulic control levers allow the operator to perform even at full working height, movements with exceptional smoothness and accuracy.

Outrigger controls allow for individual leg operation ensuring effective ground contact and levelling on uneven surfaces.

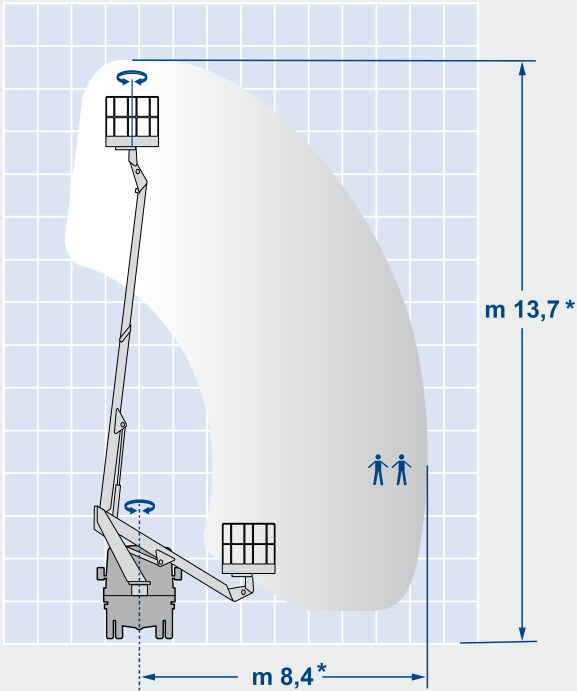
The machines are compact and light enough to mount onto the most popular commercial vehicles starting from 3,5t. Different vehicle installations are possible by varying outrigger configurations and tailoring working envelopes to optimise each mounting.



GB



E148T

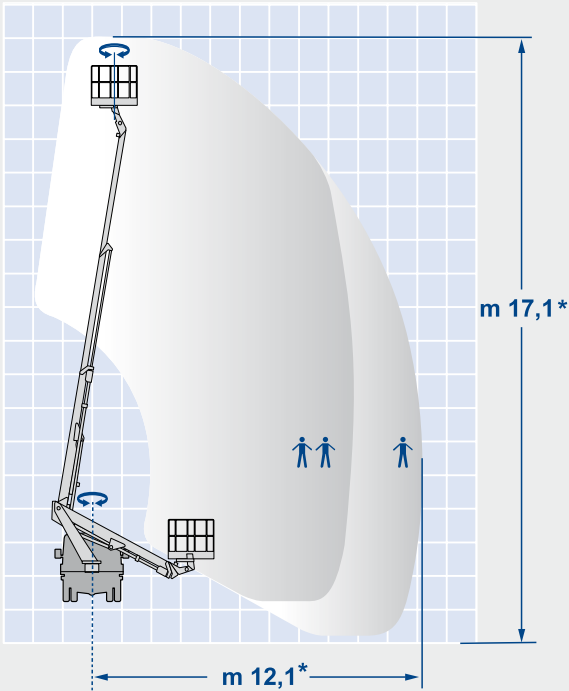


Working Height*:	13,7 m
Max. Outreach*:	8,4 m
Basket Capacity:	200 kg
Turret Rotation:	450°
Basket Rotation:	70° + 70°
GVW min.*:	3,5 to

* Depending on vehicle



E179T

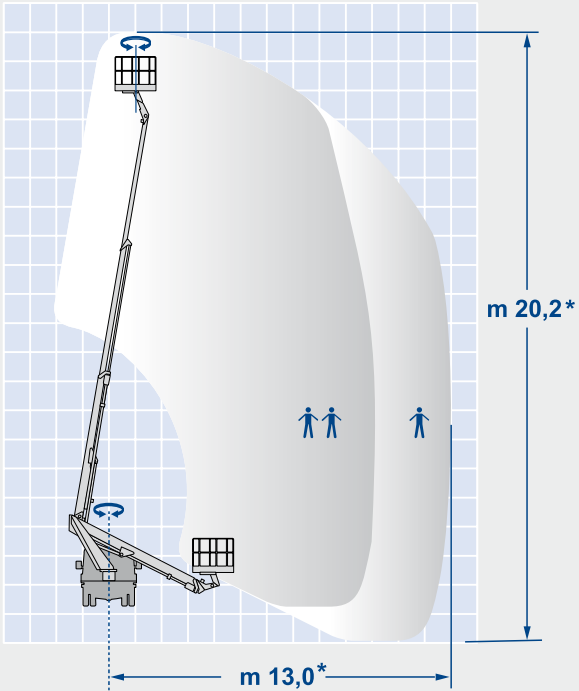


Working Height*:	17,1 m
Max. Outreach*:	12,1 m
Basket Capacity:	200/80 kg
Turret Rotation:	450°
Basket Rotation:	70° + 70°
GVW min.*:	3,5 to

* Depending on vehicle



E200T



Working Height*:	20,2 m
Max. Outreach*:	13,0 m
Basket Capacity:	200/80 kg
Turret Rotation:	450°
Basket Rotation:	70° + 70°
GVW min.*:	3,5 to

* Depending on vehicle







Standard features include

- Fully proportional hydraulic controls with multifunction joysticks
- Simultaneous and independent movements
- Internal hoses
- Easy access to the basket
- Tubular steel or fibreglass basket
- Automatic basket levelling
- Hydraulic basket rotation
- Control panels protected against accidental collision
- Telescopic cylinder mounted below the booms
- Cleaning brushes on all telescopic boom sections
- Turret rotation on self braking slewing system
- Colour scheme white RAL 9010 for the aerial platform, black RAL 9011 for the cylinders
- Rectangular boom
- Antislip aluminium decking
- Vehicle engine start / stop from the basket

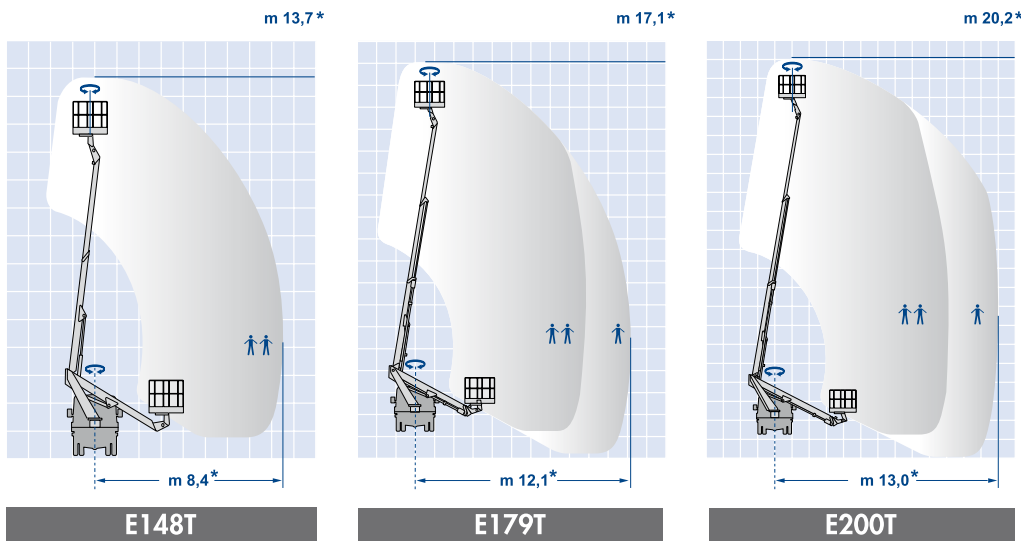
Safety

- Outrigger / Boom interlocks
- Emergency stop at the basket and the ground control points
- Failsafe lock valves to all hydraulic cylinders
- Spirit level indicator
- Emergency controls located on the base
- Control lights in the cab indicating outriggers grounded and in stowed position
- Manual emergency pump
- Conformity declaration (CE)

Extra accessories

- Electric emergency pump
- Hour meter connected to the power take-off of the vehicle
- 230/110V wiring to the basket
- Mains powered electric motor for engine-off use (switched from the ground)
- Rotating beacon
- Safety harness and lanyard
- Spotlight in the basket
- Special painting
- N. 4 wooden outrigger pads
- Tool box under the decking
- Walk-In fibreglass basket
- Cab protection
- Deck enclosures

Wide series of vehicle fittings and accessories available. For detailed information contact sales office.



MODEL	Working Height (m)*	Max. Outreach (m)*	Basket Capacity (kg)	Turret Rotation (°)	Basket Rotation (°)	GVW min. (to)*
E148T	13,7	8,4	200	450	70 + 70	3,5
E179T	17,1	12,1	200/80	450	70 + 70	3,5
E200T	20,2	13,0	200/80	450	70 + 70	3,5

* Depending on vehicle



GSR SpA Via Lea Giaccaglia, 5 - 47924 Rimini (RN) - Italia
Tel. + 39 0541 397811 - Fax + 39 0541 384491
www.gsrspa.it e-mail: sales@gsrspa.it

Company with Quality Management System certified by DNV - ISO 9001:2008

Dealer